

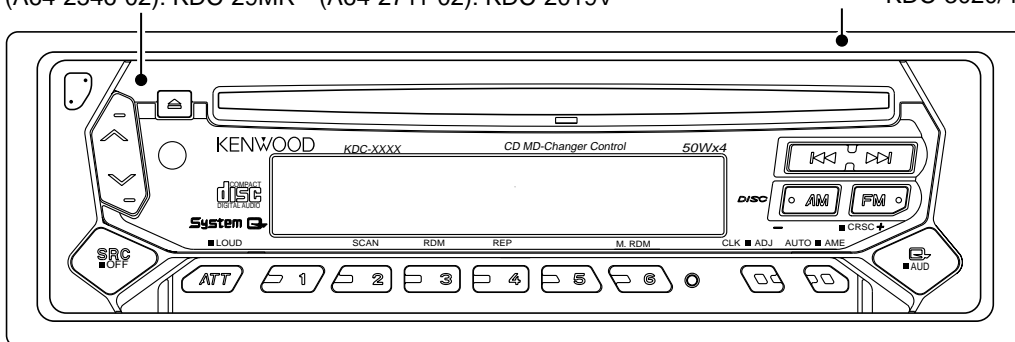
KDC-2019/2019V/217/217S /219/29MR /2020/3020/4020

SERVICE MANUAL

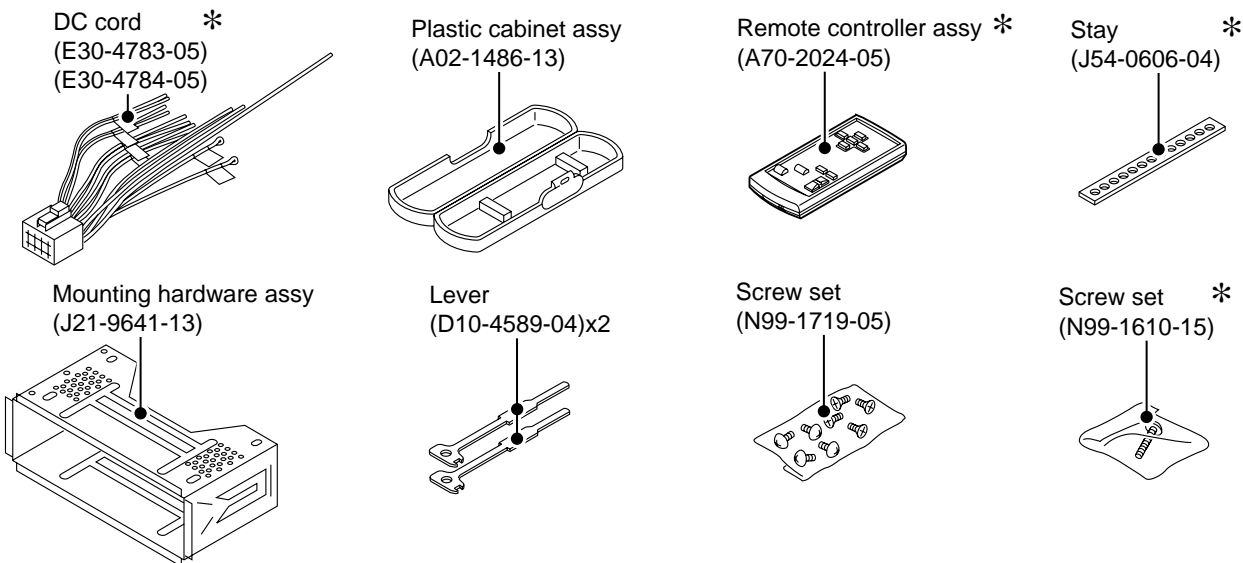
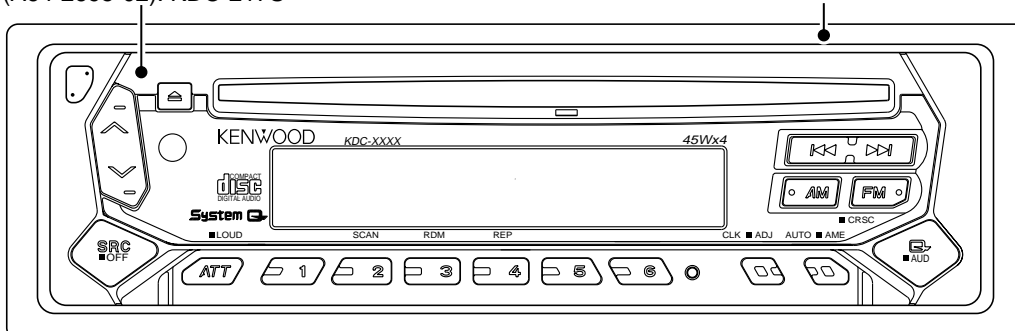
The CD mechanism information is not in this service manual.
Please, refer to service manual X92-4030-0x (B51-7867-00).

CD mechanism extension cord : W05-0618-00

Panel Assy	(A64-2547-02): KDC-2020	Escutcheon	(B07-3054-02): KDC-2019/2019V
(A64-2544-02): KDC-219	(A64-2548-02): KDC-4020		KDC-219/2020
(A64-2545-02): KDC-2019	(A64-2680-02): KDC-3020	(B07-3055-02): KDC-29MR	
(A64-2546-02): KDC-29MR	(A64-2711-02): KDC-2019V		KDC-3020/4020



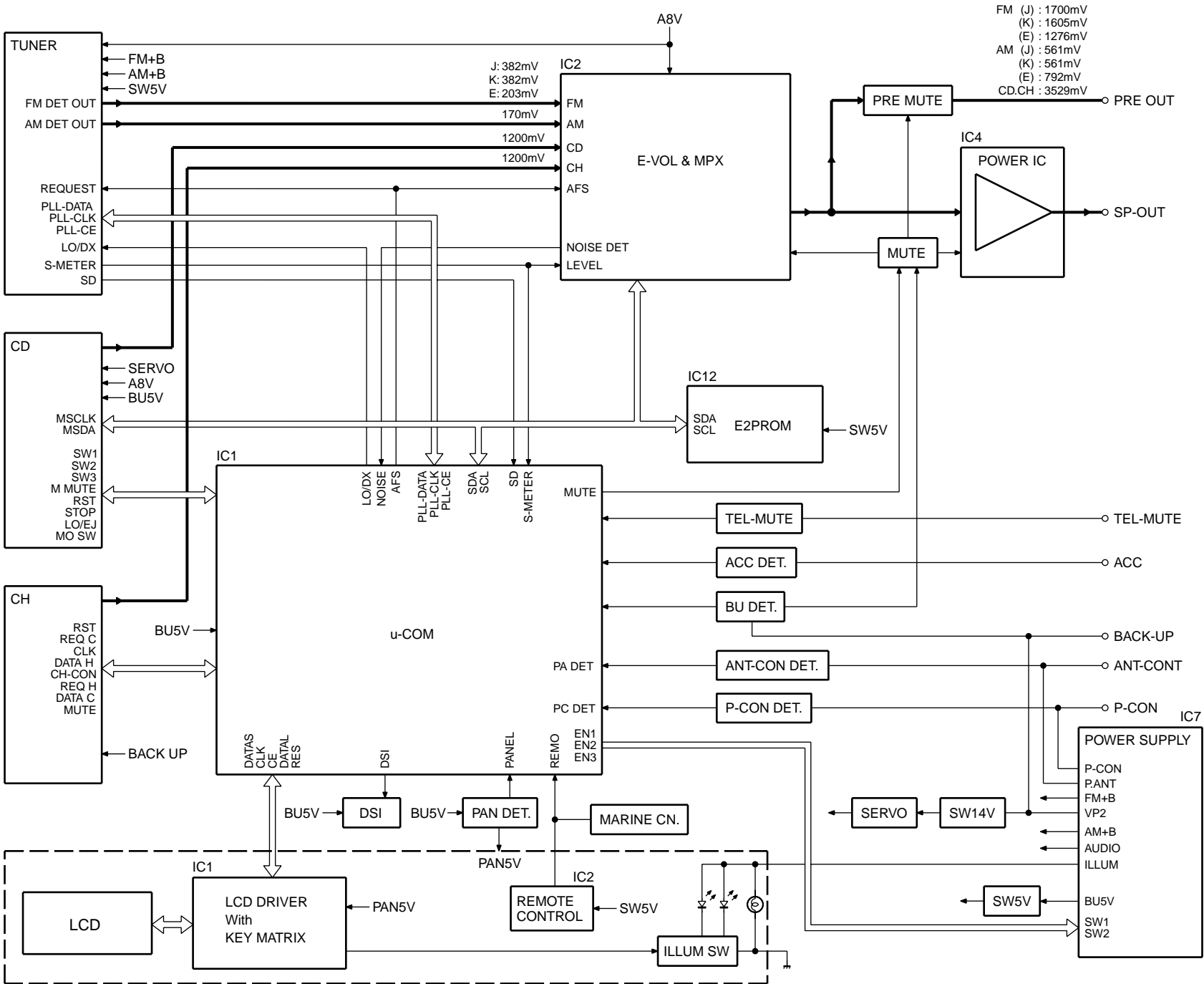
Panel Assy	(A64-2566-02): KDC-217	Escutcheon	(B07-3054-02): KDC-217/217S
(A64-2695-02): KDC-217S			



* Depends on the model. Refer to the parts list.



BLOCK DIAGRAM



MICROCOMPUTER'S TERMINAL DESCRIPTION

SYSTEM MICROCOMPUTER μ PD780058GC-XXX (IC1 : X25)

Pin No.	Pin Name	I/O	Purpose	Processing in STBY Mode
1	PANEL	I	Panel detection	Hi-Z
2	8EJE SW *1	I	8 cm disk eject end detection switch	L, L when the 8 cm CD compatibility is not provided.
3	NC	O	Not used	L
4	AVss	-	GND potential (for A/D and D/A)	-
5	L-RST	O	LCD driver reset	H, L when the panel is detached or with 7-segment output.
6	L-CE	O	LCD driver chip enable	L, L is output when the panel is detached.
7	AVREF1	I	5V power supply (D/A converter reference voltage)	-
8	NC	I	Not used	Hi-Z
9	PLL-DATA	I/O	F/E (IC3) communication data	L
10	PLL-CLK	O	F/R (IC3) communication clock	L
11	L-DATAL	I	LCD driver communication data (LCD)	Hi-Z
12	L-DATAS	O	LCD driver communication data (SYSTEM)	L, L is output when the panel is detached.
13	L-CLK	O	LCD driver communication clock	H, L is output when the panel is detached.
14	R-DATA	I	RDS DATA	Hi-Z, L when RDS is not available.
15	R-QUAL	I	RDS QUAL	Hi-Z, L when RDS is not available.
16	CH-DATAC	I	5-wire communication data (CH)	Hi-Z, L when CH is not available.
17	CH-DATAH	O	5-wire communication data (HEAD)	L, L when CH is not available.
18	CH-CLK	I/O	5-wire communication clock	Hi-Z, L when CH is not available.
19	CH-REQH	O	5-wire CH request (HEAD)	H, L when CH is not available.
20	PLL-CE	O	F/E chip enable	L
21	AFS	O	Noise detection time constant switching	L
22	LO/DX	O	Local seek switching	L
23~26	NC	O	Not used	L
27	SD	I	Station detection	Hi-Z
28	CH-CONT	O	5-wire communication CH ON output	L, L when CH is not available.
29	TYPE REF	O	Destination type and servicing setting 5V output	L
30	TYPE2	I	Destination type setting	Hi-Z
31	TYPE1	I	Destination type setting	Hi-Z
32	TYPE0	I	Destination type setting	Hi-Z
33	Vss1	-	GND potential (for other parts than ports and analog circuitry)	-
34	IC2TYPE1	I	Servicing pin (SEL1), normally "L"	Hi-Z
35	IC2TYPE0	I	Servicing pin (SEL0), normally "L"	Hi-Z
36	DATA	I/O	IC2, CD mechanism and F/E communication data	L
37	CLK	O	IC2, CD mechanism and F/E communication clock	L
38	MUTE	O	Muting control output	L, 15 sec. after power OFF.
39	P-MUTE	O	PWR IC muting output	H, 15 sec. after power OFF.
40	SVR	O	SVR control output	L
41	P-STBY	O	PWR IC standby output	L
42	SW5V	O	SW5 control output	"H" in 10 sec. after power OFF.
43	B.U-DET	I	B.U. detection	Hi-Z
44	ACC-DET	I	ACC detection	Hi-Z
45,46	NC	O	Not used	L
47~49	PS1-0~PS1-2	O	Power supply IC AUD/P.CON/P.ANT SW	L
50	BEEP	O	Buzzer output	L
51,52	PS2-0,PS2-1	O	Power supply IC ILL/AM/FM SW	L
53	DSI	O	DSI control output	L, H/L when panel is detached. FIX output is L.

MICROCOMPUTER'S TERMINAL DESCRIPTION / ADJUSTMENT

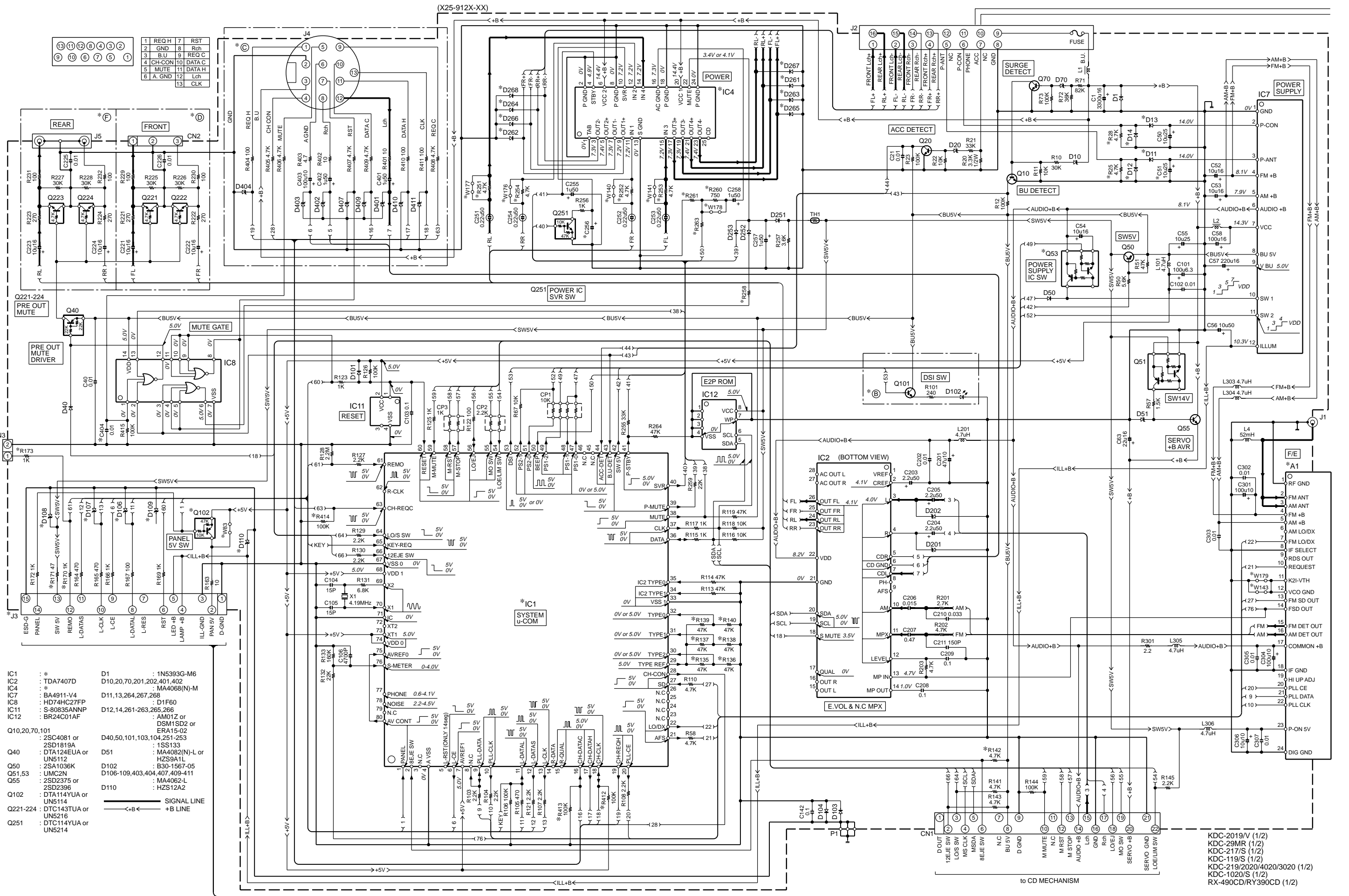
Pin No.	Pin Name	I/O	Purpose	Processing in STBY Mode
54	LOE/LIM SW	I	CD mechanism Down & Limit detection	Hi-Z
55	MOSW	O	CD mechanism motor switching	L
56	LO/EJ	I/O	Lo/Ej switching	Hi-Z
57	M-STOP	O	Mechanism COM stop output	L
58	M-RST	O	Mechanism COM reset output	H
59	M-MUTE	I	Mechanism COM mute input	Hi-Z
60	RESET	I	System reset input	Hi-Z
61	REMO	I	Remote control input	Hi-Z
62	R-CLK	I	RDS CLOCK	Hi-Z, L when RDS is not available.
63	CH-REQC	I	5-wire CH request (CH)	Hi-Z, L when CH is not available.
64	LOS SW	I	Loading SW detection	Hi-Z
65	KEY-REQ	I	Key input detection	Hi-Z
66	12EJE SW	I	12 cm disc detection	Hi-Z
67	Vss0	-	GND potential (for ports)	-
68	VDD1	-	Positive power supply (for other parts than ports and analog circuitry)	-
69	X2	-	Main system clock oscillation	-
70	X1	I	Main system clock oscillation	-
71	IC	-	Flash uCOM write	-
72	XT2	-	Not used	-
73	XT1	-	Not used (Connected to 5V power supply)	-
74	VDD0	-	Positive power supply (for ports)	-
75	AVREF0	I	5V power supply (A/D converter reference voltage)	-
76	S-METER	I	S-meter input	Hi-Z
77	PHONE	I	Navigation muting 2.5V or more, Telephone muting 1V or less.	Hi-Z, L when TEL is not available.
78	NOISE	I	FM noise detection	Hi-Z, L when RDS is not available.
79	NC	O	Not used	L
80	AVCONT	O	A/D reference voltage control	L

ADJUSTMENT

No.	ITEM	INPUT SETTINGS	TUNER (RECEIVER) SETTINGS	ALIGNMENT POINTS	ALIGN FOR
FM SECTION					
1	SD	98.1MHz 0 dev 35dB μ (ANT input)	TEST MODE : ON FM 98.1MHz	Preset "1" key, and preset "6" key	While holding preset "1" key, press and hold preset "6" key for a few seconds. "1111" is good. "0000" is not good.
AM SECTION					
(1)	SD	990kHz 0% mod 35dB μ (ANT input)	TEST MODE : ON AM 990kHz	Preset "1" key, and preset "6" key	While holding preset "1" key, press and hold preset "6" key for a few seconds. "1111" is good. "0000" is not good.

TEST MODE : ON While holding the FM key and preset "6" key, reset the unit.

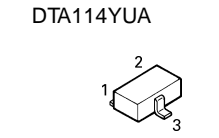
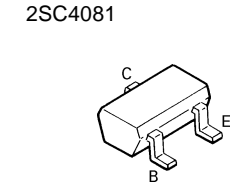
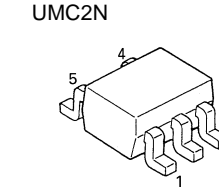
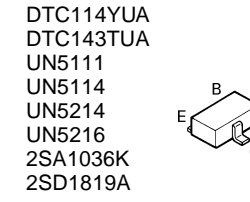
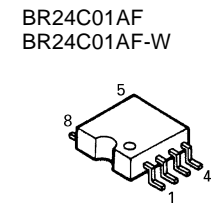
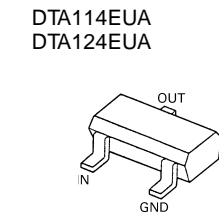
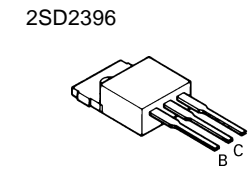
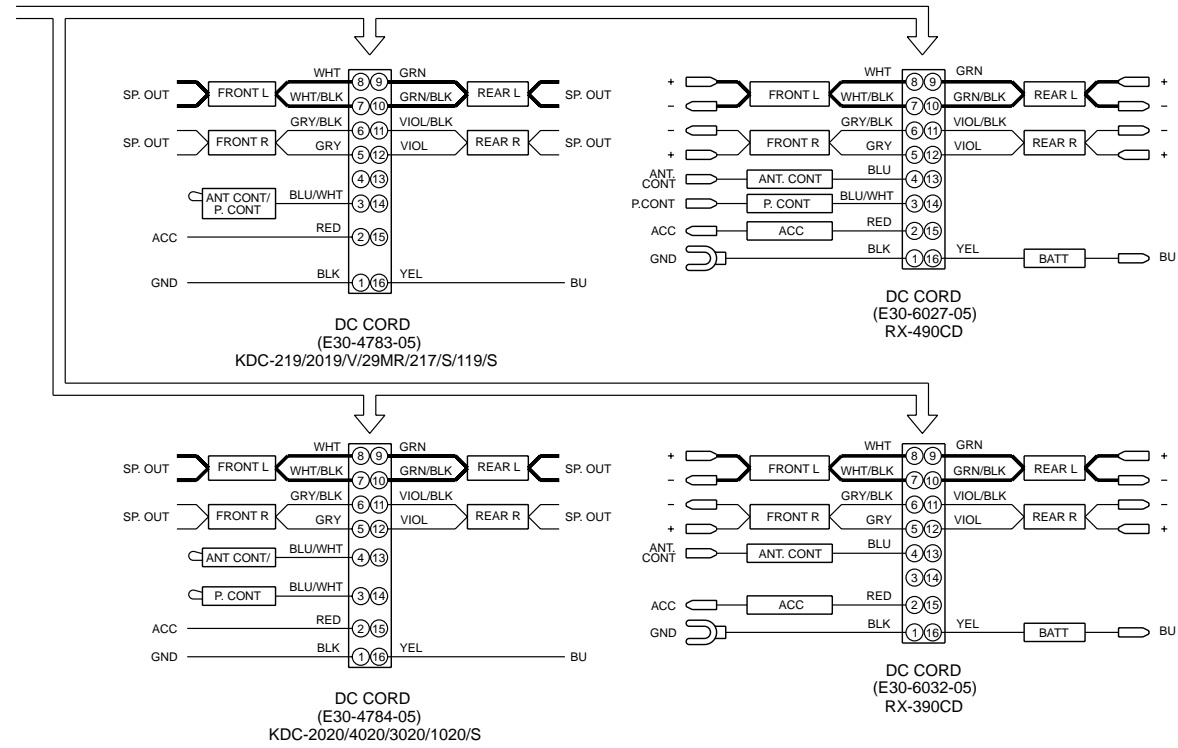
TEST MODE : OFF Reset the unit.



1	REQ H	7	RST
2	GND	8	Rch
3	B.U	9	REQ C
4	CH-CON	10	DATA C
5	MUTE	11	DATA H
6	A. GND	12	Lch
		13	CLK

- IC1 : * : IN5393G-M6
 IC2 : * : TDA7407D
 IC4 : * : MA4068(N)-M
 IC7 : BA4911-V4
 IC8 : HD74HC27FP
 IC11 : S-80835ANNP
 IC12 : BR24C01AF
- Q10,20,70,101 : 25C4081 or 25D1819A
 Q40 : DTA124EUA or UN5112
 Q50 : 2SA1036K
 Q51,53 : UMC2N
 Q55 : 2SD2375 or 2SD2396
 Q102 : DTA114YUA or UN5114
 Q221-224 : DTC143TUA or UN5216
 Q251 : DTC114YUA or UN5214
- D1 : IN5393G-M6
 D10,20,70,201,202,401,402 : ER15-02
 D11,13,264,267,268 : D1F60
 D12,14,261-263,265,266 : D12EJE SW
 D110 : HZS12A2
- D40,50,101,103,104,251-253 : 1SS133
 D51 : MA4082(N)-L or HZS9A1L
 D102 : B30-1567-05
 D106-109,403,404,407,409-411 : MA4062-L
 D110 : HZS12A2
- — SIGNAL LINE
 —— +B LINE

- KDC-2019/V (1/2)
 KDC-29MR (1/2)
 KDC-217/S (1/2)
 KDC-119/S (1/2)
 KDC-219/2020/4020/3020 (1/2)
 KDC-1020/S (1/2)
 RX-490CD/RV390CD (1/2)

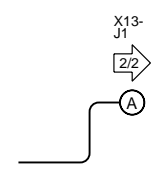


(X25-912X-XX)

MODEL NAME	UNIT No.	(B)	(C)	(D)	(F)	C51	C256	C404	CN3	D11, 12	D13, 14	D106-110	D261-268	IC1 (UPD780058GCXXX)	IC4	J3	Q53	Q102	R25	R28
KDC-2020 (M)	0-20	YES	YES	NO	YES	YES	33u50	YES	NO	YES	YES	YES	YES	429	TDA7560	E58-0879	YES	YES	YES	YES
KDC-3020 (M)																				
KDC-219 (K)	0-11	YES	YES	NO	YES	NO	33u50	YES	NO	NO	YES	YES	YES	429	TDA7560	E58-0879	NO	YES	NO	YES
KDC-2019V (K)	0-16	YES	YES	YES	YES	NO	33u50	YES	NO	NO	YES	YES	YES	429	TDA7560	E58-0879	NO	YES	NO	YES
KDC-4020 (M)	0-21	YES	YES	YES	YES	YES	33u50	YES	NO	YES	YES	YES	YES	429	TDA7560	E58-0879	YES	YES	YES	YES
KDC-2019 (K)	0-12	YES	YES	YES	YES	NO	33u50	YES	NO	NO	YES	YES	YES	429	TDA7560	E58-0879	NO	YES	NO	YES
KDC-29MR (K)	0-13	YES	YES	NO	YES	NO	100u50	YES	YES	NO	YES	YES	NO	429	TDA7386	E58-0879	NO	YES	NO	YES
KDC-217 (K)	0-15	YES	NO	NO	YES	NO	100u50	NO	NO	NO	YES	YES	NO	429	TDA7386	E58-0879	NO	YES	NO	YES
KDC-217S (K)																				
KDC-119 (K)	0-14	NO	NO	NO	YES	NO	100u50	NO	NO	NO	YES	NO	NO	430	TDA7386	E58-0880	NO	NO	NO	YES
KDC-119S (K)																				
KDC-1020 (M)	0-22	NO	NO	NO	YES	YES	33u50	NO	NO	YES	YES	NO	YES	430	TDA7560	E58-0880	YES	NO	YES	YES
KDC-1020S (M)																				
RX-490CD (J)	0-01	NO	YES	NO	YES	YES	100u50	YES	NO	YES	YES	NO	NO	429	TDA7386	E58-0880	YES	NO	YES	YES
RX-390CD (J)	0-02	NO	NO	NO	YES	YES	100u50	NO	NO	YES	NO	NO	NO	430	TDA7386	E58-0880	YES	NO	YES	NO

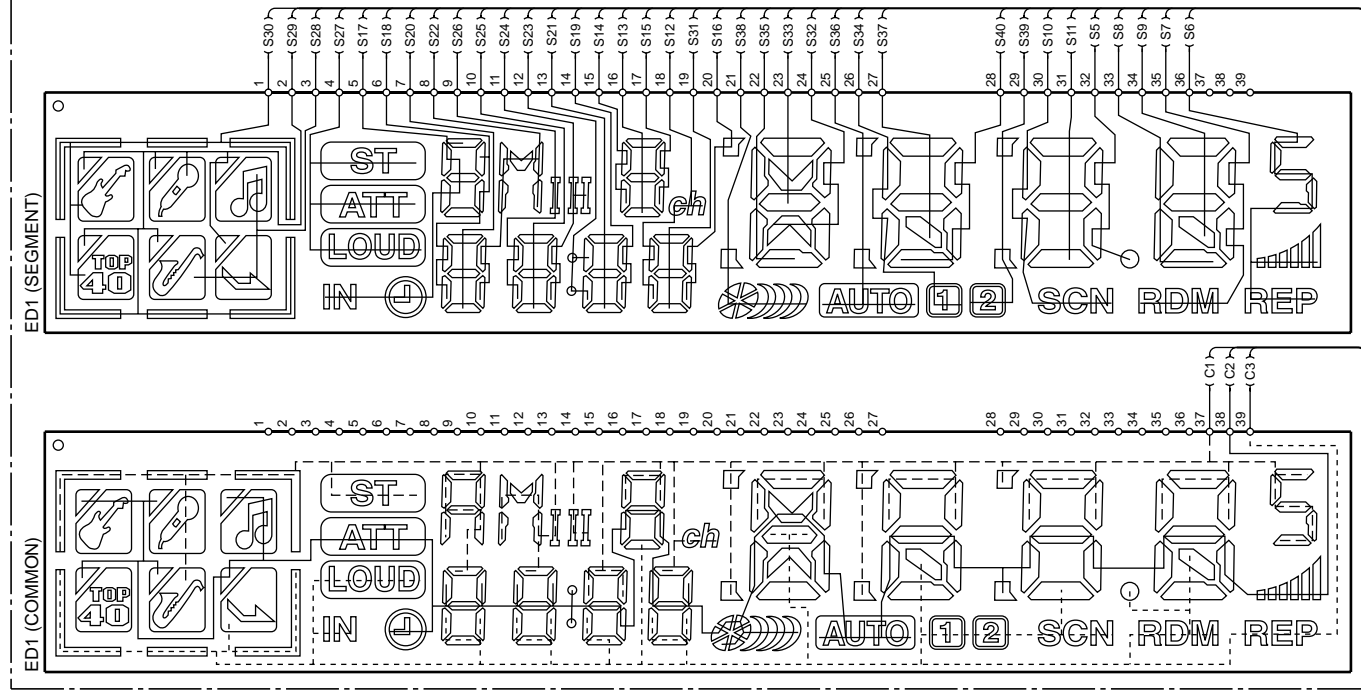
UNIT No.	R135	R136	R137	R138	R139	R140, 142	R170, 171, 412-414	R173	R251-254, 260	R258	R261	R263	W83	W140, 141, 176-178	W143	W179	A1 (F/E)
0-20	NO	YES	YES	NO	YES	NO	YES	NO	NO	220	10	4.3K	NO	YES	NO	YES	X86-3510-11
0-11	NO	YES	NO	YES	YES	NO	YES	NO	NO	220	10	4.3K	NO	YES	NO	YES	X86-3510-11
0-16	NO	YES	NO	YES	YES	NO	YES	NO	NO	220	10	4.3K	NO	YES	NO	YES	X86-3510-11
0-21	NO	YES	YES	NO	YES	NO	YES	NO	NO	220	10	4.3K	NO	YES	NO	YES	X86-3510-11
0-12	NO	YES	NO	YES	YES	NO	YES	NO	NO	220	10	4.3K	NO	YES	NO	YES	X86-3510-11
0-13	NO	YES	NO	YES	YES	NO	YES	YES	YES	100	430	180K	NO	NO	NO	YES	X86-3510-11
0-15	YES	NO	NO	YES	YES	NO	NO	NO	YES	100	430	180K	NO	NO	NO	YES	X86-3510-11
0-14	NO	YES	NO	YES	YES	NO	NO	NO	YES	100	430	180K	YES	NO	NO	YES	X86-3510-11
0-22	NO	YES	YES	NO	YES	NO	NO	NO	NO	220	10	4.3K	YES	YES	NO	YES	X86-3510-11
0-01	NO	YES	YES	NO	NO	YES	YES	NO	YES	100	430	180K	YES	NO	YES	NO	X86-3510-01
0-02	NO	YES	YES	NO	NO	YES	NO	NO	YES	100	430	180K	YES	NO	YES	NO	X86-3510-01

CAUTION : For continued safety, replace safety critical components only with manufacturer's recommended parts (refer to parts list).
 ⚠ Indicates safety critical components. To reduce the risk of electric shock, leakage-current or resistance measurements shall be carried out (exposed parts are acceptably insulated from the supply circuit) before the appliance is returned to the customer.
 • DC voltages are as measured with a high impedance voltmeter. Values may vary slightly due to variations between individual instruments or/and units.

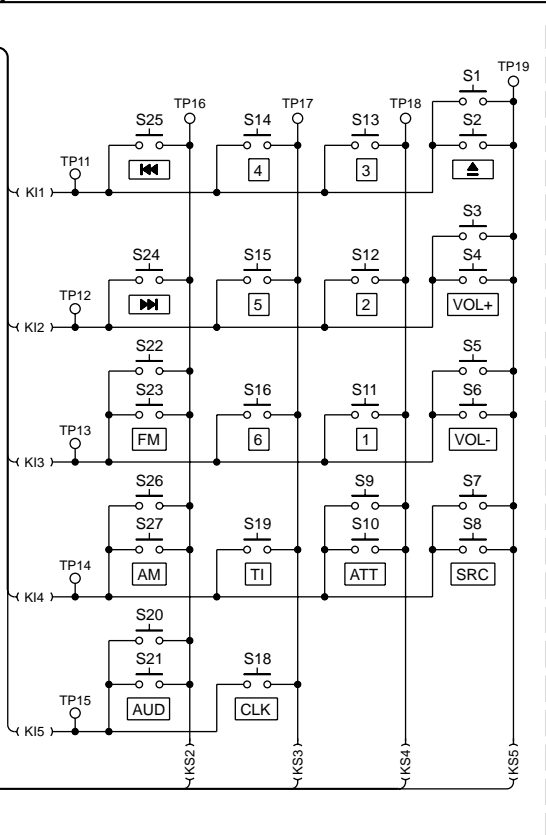
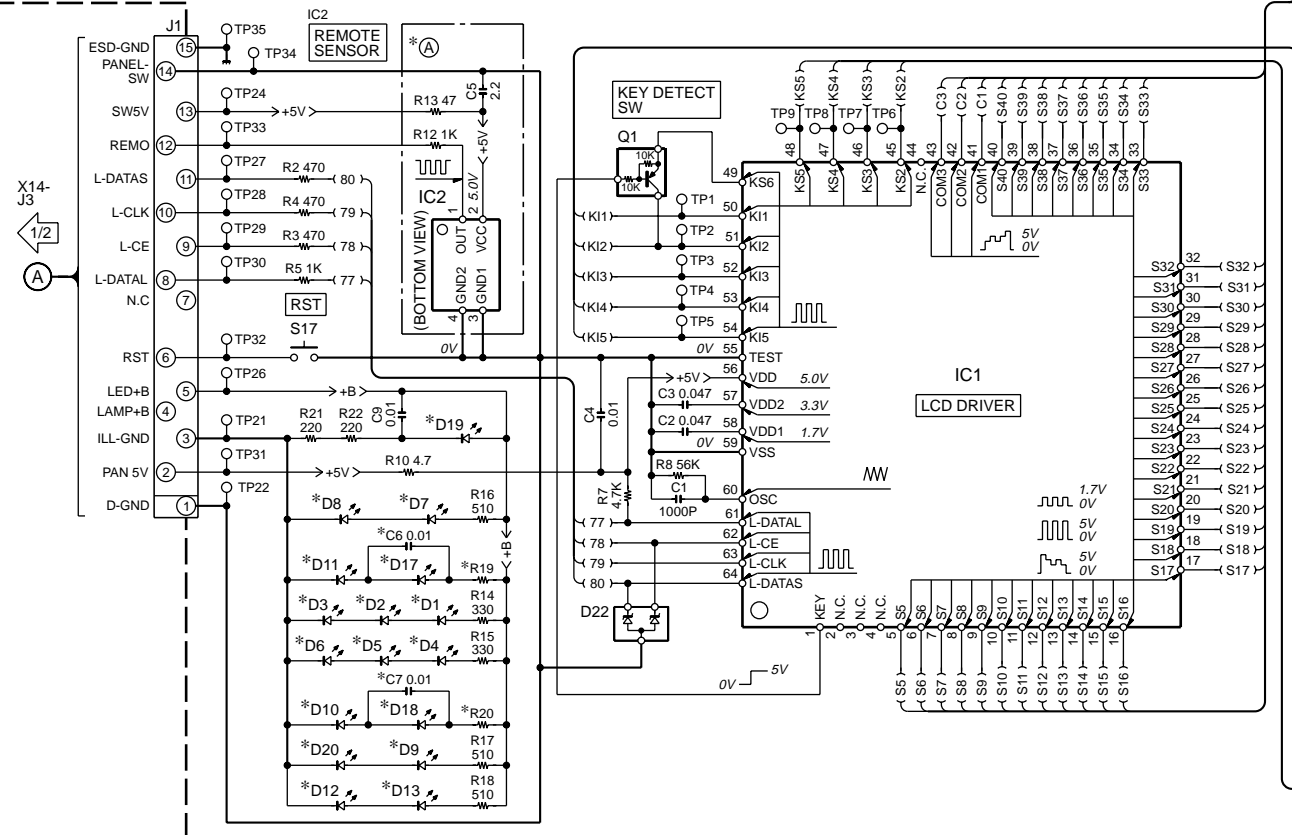
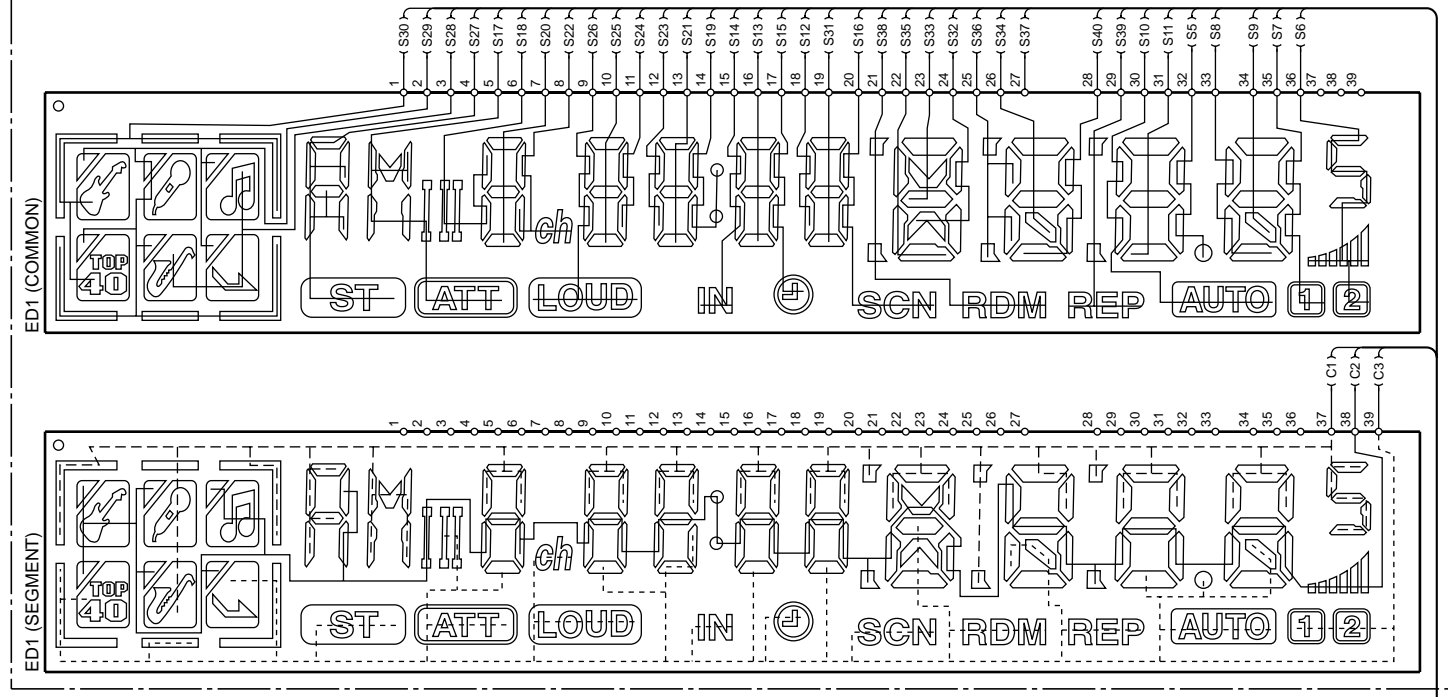


SWITCH UNIT (X16-1460-XX)

(B38-1080/1081) : KDC-2020/3020/219/4020/2019/V/29MR/217/S



(B38-1079) : KDC-119/S/1020/S



- IC1 : LC75853NE D1-13,20 : *
 - IC2 : RS-171 D17,18 : *
 - D19 : *
 - Q1 : DTA114EUA D22 : MA3062WA
- GND LINE
 +B LINE

(X16-1460-XX)

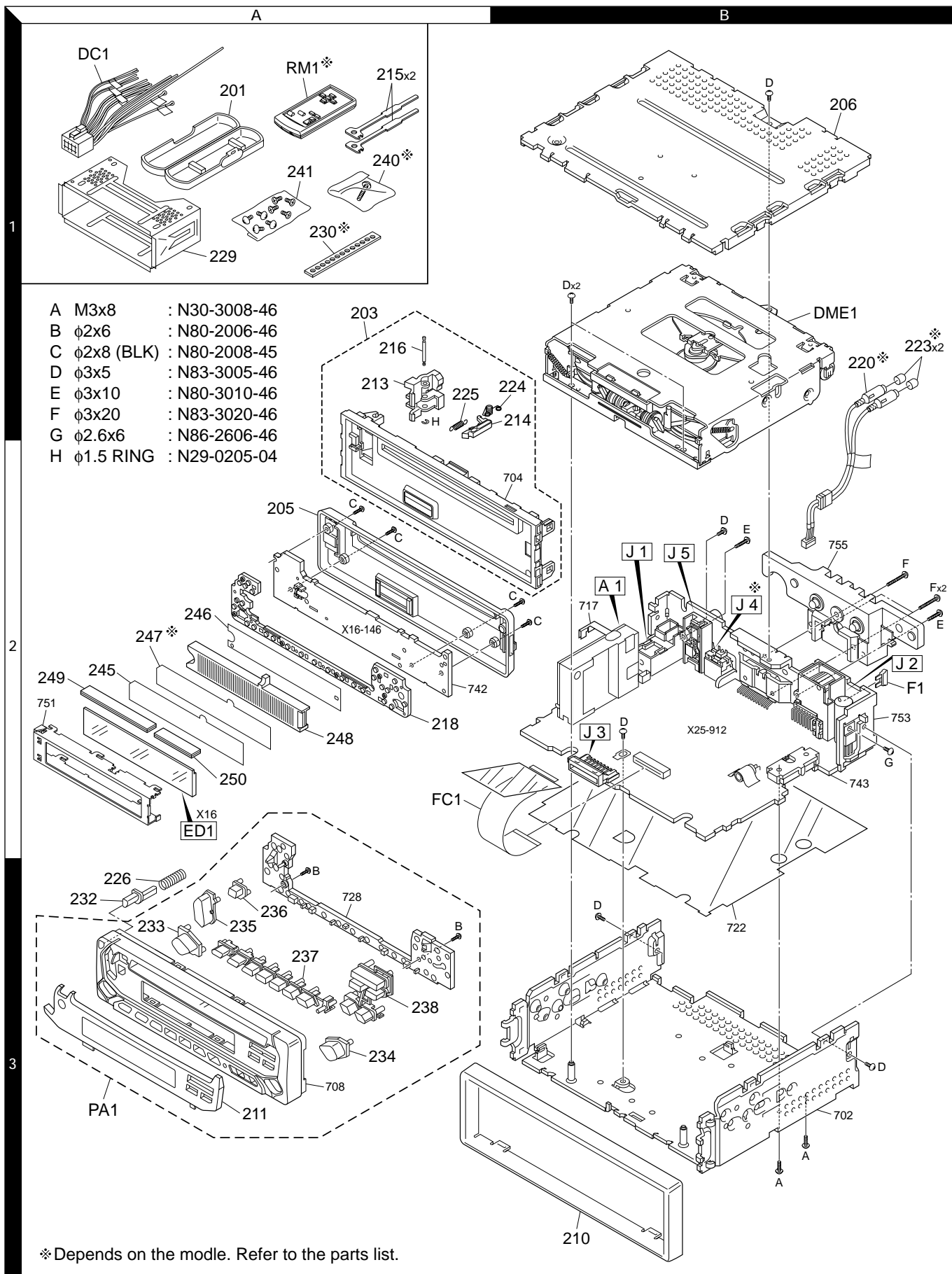
MODEL NAME	UNIT No.	(A)	C6, 7	D1-13,20	D17,18	D19	R19, 20
KDC-2020 (M)	0-20	YES	NO	B30-1533-05 (GREEN)	B30-1533-05 (GREEN)	B30-1633-05	510
KDC-3020 (M)	0-21	YES	NO	B30-1567-05 (RED)	B30-1567-05 (RED)	B30-1641-05	510
KDC-219 (K)	0-11	YES	YES	B30-1533-05 (GREEN)	B30-1642-05 (BLUE)	B30-1633-05	390
KDC-2019 (K)	0-12	YES	NO	B30-1533-05 (GREEN)	B30-1533-05 (GREEN)	B30-1633-05	510
KDC-119 (K)	0-13	NO	NO	B30-1533-05 (GREEN)	B30-1533-05 (GREEN)	B30-1633-05	510
KDC-1020 (M)	0-14	NO	NO	B30-1533-05 (GREEN)	B30-1533-05 (GREEN)	B30-1633-05	510
KDC-217 (K)	0-14	NO	NO	B30-1533-05 (GREEN)	B30-1533-05 (GREEN)	B30-1633-05	510
KDC-217S (K)	0-14	NO	NO	B30-1533-05 (GREEN)	B30-1533-05 (GREEN)	B30-1633-05	510
KDC-2019V (K)	0-15	YES	YES	B30-1567-05 (RED)	B30-1642-05 (BLUE)	B30-1633-05	390

CAUTION : For continued safety, replace safety critical components only with manufacturer's recommended parts (refer to parts list).

△ Indicates safety critical components. To reduce the risk of electric shock, leakage-current or resistance measurements shall be carried out (exposed parts are acceptably insulated from the supply circuit) before the appliance is returned to the customer.

- DC voltages are as measured with a high impedance voltmeter. Values may vary slightly due to variations between individual instruments or/and units.

EXPLODED VIEW



Parts with the exploded numbers larger than 700 are not supplied.

PARTS LIST

* New parts

Parts without **Parts No.** are not supplied.

Les articles non mentionnés dans le **Parts No.** ne sont pas fournis.

Teile ohne **Parts No.** werden nicht geliefert.

Ref. No.	A d d	N e w	Parts No.	Description	Desti- nation	Ref. No.	A d d	N e w	Parts No.	Description	Desti- nation
KDC-2019/2019V/2020/217/217S/219/29MR/3020/4020											
201	1A		A02-1486-13	PLASTIC CABINET ASSY		-		*	H10-4801-02	POLYSTYRENE FOAMED FIXTURE	
203	1A		A22-2863-03	SUB PANEL ASSY		-			H25-0329-04	PROTECTION BAG (280X450X0.03)	
205	2A	*	A46-1750-01	REAR COVER		-			H25-0337-04	PROTECTION BAG (180X300X0.03)	
206	1B	*	A52-0804-02	TOP PLATE		-		*	H54-2271-03	ITEM CARTON CASE	K
PA1	3A	*	A64-2544-02	PANEL ASSY	K	-		*	H54-2272-03	ITEM CARTON CASE	K1
PA1	3A	*	A64-2545-02	PANEL ASSY	K2	-		*	H54-2273-03	ITEM CARTON CASE	K2
PA1	3A	*	A64-2546-02	PANEL ASSY	K3	-		*	H54-2274-03	ITEM CARTON CASE	K3
PA1	3A	*	A64-2547-02	PANEL ASSY	M	-		*	H54-2275-03	ITEM CARTON CASE	M
PA1	3A	*	A64-2548-02	PANEL ASSY	M1	-		*	H54-2276-03	ITEM CARTON CASE	M1
PA1	3A	*	A64-2566-02	PANEL ASSY	K4	-		*	H54-2314-03	ITEM CARTON CASE	K5
PA1	3A	*	A64-2680-02	PANEL ASSY	M3	-		*	H54-2381-03	ITEM CARTON CASE	M3
PA1	3A	*	A64-2695-02	PANEL ASSY	K5	229	1A		J21-9641-13	MOUNTING HARDWARE ASSY	
PA1	3A	*	A64-2711-02	PANEL ASSY	K1	230	1A		J54-0606-04	STAY	MM1M3
RM1	1A		A70-2024-05	REMOTE CONTROLLER ASSY (RC-400)	KK1K2	232	3A	*	K24-3822-04	KNOB (RELEASE)	
RM1	1A		A70-2024-05	REMOTE CONTROLLER ASSY (RC-400)	M1	233	3A	*	K24-3823-04	KNOB (SRC)	
210	3B		B07-3054-02	ESCUTCHEON (GRAY)	KK1K2	234	3A	*	K24-3824-04	KNOB (AUD)	
210	3B		B07-3054-02	ESCUTCHEON (GRAY)	K4K5M	235	3A	*	K24-3825-03	KNOB (VOL)	
210	3B		B07-3055-02	ESCUTCHEON (SILVER)	K3M1M3	236	3A	*	K24-3826-04	KNOB (EJECT)	
211	3A	*	B10-4132-01	FRONT GLASS	K	237	3A	*	K25-1396-03	KNOB (PRE1-6,ATT,RESET)	
211	3A	*	B10-4133-01	FRONT GLASS	K2	238	3A	*	K25-1397-03	KNOB (AUTO,CLK,FM,AM)	
211	3A	*	B10-4134-01	FRONT GLASS	K3	240	1A		N99-1610-15	SCREW SET	KK1K2
211	3A	*	B10-4135-01	FRONT GLASS	M	240	1A		N99-1610-15	SCREW SET	K4K5M
211	3A	*	B10-4136-01	FRONT GLASS	M1	240	1A		N99-1610-15	SCREW SET	M1M3
211	3A	*	B10-4143-01	FRONT GLASS	K1	241	1A		N99-1719-05	SCREW SET	
211	3A	*	B10-4231-01	FRONT GLASS	K5	A	3B		N30-3008-46	PAN HEAD MACHINE SCREW	
211	3A	*	B10-4234-01	FRONT GLASS	M3	B	3A		N80-2006-46	PAN HEAD TAPTITE SCREW	
211	3A	*	B10-4244-01	FRONT GLASS	K4	C	2A		N80-2008-45	PAN HEAD TAPTITE SCREW	
-			B46-0100-50	WARRANTY CARD		D	1B		N83-3005-46	PAN HEAD TAPTITE SCREW	
-			B46-0606-04	ID CARD		H	1A		N29-0205-04	RETAINING RING (1.5øÿ)	
-			B58-1344-04	CAUTION CARD	KK1K2	DME1	1B	*	X92-4030-00	MECHANISM ASSY	
-			B58-1344-04	CAUTION CARD	K4K5	SWITCH UNIT (X16-1460-xx)					
-			B58-1365-04	CAUTION CARD		245	2A	*	B11-1358-04	OPTICAL DIFFUSER	KK2K4
-		*	B64-2114-00	INST.MANUAL (ENG.FRE.SPA.POR.)	KK1K2	245	2A	*	B11-1358-04	OPTICAL DIFFUSER	K5MM1
-		*	B64-2114-00	INST.MANUAL (ENG.FRE.SPA.POR.)	K3K4K5	245	2A	*	B11-1372-04	OPTICAL DIFFUSER	K1K3M3
-		*	B64-2115-00	INST.MANUAL (ENGLISH,T-CHINESE)	MM1M3	246	2A	*	B11-1359-04	REFLECTION SHEET	
-		*	B64-2116-00	INSTRUCTION MANUAL (ARABIC)	MM1M3	247	2A	*	B11-1360-04	COLOR FILTER	K3
213	1A		D10-4446-03	LEVER		247	2A	*	B11-1361-04	COLOR FILTER	K1
214	2A		D10-4447-03	LEVER		248	2A	*	B19-2130-03	LIGHTING BOARD	
215	1A		D10-4589-04	LEVER		D1-13			B30-1533-05	LED (1608,PG)	KK2K3
216	1A		D21-2329-04	SHAFT		D1-13			B30-1533-05	LED (1608,PG)	K4K5M
218	2A	*	E29-1872-02	CONDUCTIVE RUBBER		D1-13			B30-1533-05	LED (1608,PG)	M1
220	2B		E30-4801-05	CORD WITH PINPLUG	K1K2M1	D1-13			B30-1567-05	LED (1608,RED)	K1M3
Δ DC1	1A		E30-4783-05	DC CORD	KK1K2	D17,18			B30-1533-05	LED (1608,PG)	K3K4K5
Δ DC1	1A		E30-4783-05	DC CORD	K3K4K5	D17,18			B30-1533-05	LED (1608,PG)	M
Δ DC1	1A		E30-4784-05	DC CORD	MM1M3	D17,18			B30-1567-05	LED (1608,RED)	M3
FC1	2A		E39-0343-05	FLAT CABLE		D17,18		*	B30-1642-05	LED	KK1K2
223	1B		F29-0049-05	INSULATING COVER	K1K2M1	D17,18		*	B30-1642-05	LED	M1
Δ F1	2B		F52-0006-05	FUSE (MINI BLADE TYPE) 10A		D19			B30-1633-05	LED (WHITE)	KK1K2
224	1A		G01-2987-04	TORSION COIL SPRING		D19			B30-1633-05	LED (WHITE)	K3K4K5
225	1A		G01-3096-04	EXTENSION SPRING		D19			B30-1633-05	LED (WHITE)	MM1
226	3A	*	G01-3149-04	COMPRESSION SPRING		D19			B30-1641-05	LED	M3

K : KDC-219 **K3** : KDC-29MR **M** : KDC-2020
K1 : KDC-2019V **K4** : KDC-217 **M1** : KDC-4020
K2 : KDC-2019 **K5** : KDC-217S **M3** : KDC-3020

Δ Indicates safety critical components.

PARTS LIST

* New parts

Parts without **Parts No.** are not supplied.

Les articles non mentionnés dans le **Parts No.** ne sont pas fournis.

Teile ohne **Parts No.** werden nicht geliefert.

SWITCH UNIT (X16-1460-xx)

Ref. No.	A d d	N e w	Parts No.	Description	Desti- nation	Ref. No.	A d d	N e w	Parts No.	Description	Desti- nation
D20			B30-1533-05	LED (1608,PG)	KK2K3	C50			CE04NW1E100M	ELECTRO 10UF 25WV	KK1K2
D20			B30-1533-05	LED (1608,PG)	K4K5M	C50			CE04NW1E100M	ELECTRO 10UF 25WV	K3K4K5
D20			B30-1533-05	LED (1608,PG)	M1	C50,51			CE04NW1E100M	ELECTRO 10UF 25WV	MM1M3
D20			B30-1567-05	LED (1608,RED)	K1M3	C52-54			CE04NW1C100M	ELECTRO 10UF 16WV	
ED1		*	B38-1080-05	LIQUID CRYSTAL	KK2K4	C55			CE04NW1E100M	ELECTRO 10UF 25WV	
ED1		*	B38-1080-05	LIQUID CRYSTAL	K5MM1	C56			CE04CW1H100M	ELECTRO 10UF 50WV	
ED1		*	B38-1081-05	LIQUID CRYSTAL	K1K3M3	C57			C90-2980-05	ELECTRO 220UF 16WV	
C1			CK73GB1H102K	CHIP C 1000PF K		C58			C90-2962-05	ELECTRO 100UF 16WV	
C2,3			CK73GB1E473K	CHIP C 0.047UF K		C63			CE04NW1C220M	ELECTRO 22UF 16WV	
C2,3			CK73GB1H473K	CHIP C 0.047UF K		C101			CE04NW0J101M	ELECTRO 100UF 6.3WV	
C4			CK73GB1H103K	CHIP C 0.010UF K		C102			CK73GB1H103K	CHIP C 0.010UF K	
C5			CK73FB1A225K	CHIP C 2.2UF K	KK1K2	C103			CK73GB1C104K	CHIP C 0.10UF K	
C5			CK73FB1A225K	CHIP C 2.2UF K	K3MM1	C103			CK73GB1H104K	CHIP C 0.10UF K	
C5			CK73FB1A225K	CHIP C 2.2UF K	M3	C104,105			CC73GCH1H150J	CHIP C 15PF J	
C6,7			CK73GB1H103K	CHIP C 0.010UF K	KK1K2	C106			CK73GB1H472K	CHIP C 4700PF K	
C6,7			CK73GB1H103K	CHIP C 0.010UF K	M1	C142			CK73GB1C104K	CHIP C 0.10UF K	
C9			CK73GB1H103K	CHIP C 0.010UFK		C142			CK73GB1H104K	CHIP C 0.10UF K	
249	2A		E29-1829-04	CONDUCTIVE RUBBER		C201			CE04NW1A470M	ELECTRO 47UF 10WV	
250	2A		E29-1834-04	CONDUCTIVE RUBBER		C202			CK73GB1H103K	CHIP C 0.010UF K	
J1			E59-0828-05	RECTANGULAR PLUG		C203-205			CE04NW1H2R2M	ELECTRO 2.2UF 50WV	
-			J19-5130-04	HOLDER (LED)		C206			CK73GB1H153K	CHIP C 0.015UF K	
R2-4			RK73GB2A471J	CHIP R 470 J 1/10W		C207			CK73GB1A474K	CHIP C 0.47UF K	
R5			RK73GB2A102J	CHIP R 1.0K J 1/10W		C208,209			CK73GB1C104K	CHIP C 0.10UF K	
R7			RK73GB2A472J	CHIP R 4.7K J 1/10W		C208,209			CK73GB1H104K	CHIP C 0.10UF K	
R8			RK73GB2A563J	CHIP R 56K J 1/10W		C210			CK73GB1E333K	CHIP C 0.033UF K	
R10			RK73GB2A4R7J	CHIP R 4.7 J 1/10W		C210			CK73GB1H333K	CHIP C 0.033UF K	
R12			RK73GB2A102J	CHIP R 1.0K J 1/10W	KK1K2	C211			CC73GCH1H151J	CHIP C 150PF J	K1K2M1
R12			RK73GB2A102J	CHIP R 1.0K J 1/10W	K3MM1	C221-224			C90-2597-05	ELECTRO 10UF 16WV	KK3K4
R12			RK73GB2A102J	CHIP R 1.0K J 1/10W	M3	C223,224			C90-2597-05	ELECTRO 10UF 16WV	K5MM3
R13		*	RK73FB2B470J	CHIP R 47 J 1/8W	KK1K2	C225			CK73GB1H103K	CHIP C 0.010UF K	KK3K4
R13		*	RK73FB2B470J	CHIP R 47 J 1/8W	K3MM1	C225			CK73GB1H103K	CHIP C 0.010UF K	K5MM3
R13		*	RK73FB2B470J	CHIP R 47 J 1/8W	M3	C225,226			CK73GB1H103K	CHIP C 0.010UF K	K1K2M1
R14,15			RK73FB2B331J	CHIP R 330 J 1/8W		C251-254			C90-5296-05	NP-ELECT 0.22UF 50WV	
R16-18			RK73FB2B511J	CHIP R 510 J 1/8W	KK1K2	C255			CE04NW1H010M	ELECTRO 1.0UF 50WV	
R16-18			RK73FB2B511J	CHIP R 510 J 1/8W	M1	C256			CE04NW1A101M	ELECTRO 100UF 10WV	K3K4K5
R16-20			RK73FB2B511J	CHIP R 510 J 1/8W	K3K4K5	C256			CE04NW1A330M	ELECTRO 33UF 10WV	KK1K2M
R16-20			RK73FB2B511J	CHIP R 510 J 1/8W	MM3	C256			CE04NW1A330M	ELECTRO 33UF 10WV	M1M3
R16-20			RK73FB2B511J	CHIP R 510 J 1/8W		C257			CE04NW1H010M	ELECTRO 1.0UF 50WV	
R19,20		*	RK73FB2B391J	CHIP R 390 J 1/8W	KK1K2	C258			C90-2935-05	ELECTRO 1.0UF 50WV	
R19,20		*	RK73FB2B391J	CHIP R 390 J 1/8W	M1	C301			CE04NW1A101M	ELECTRO 100UF 10WV	
R21,22			RK73FB2B221J	CHIP R 220 J 1/8W		C302,303			CK73GB1H103K	CHIP C 0.010UF K	
D22			MA3062WA	ZENER DIODE		C304			CE04CW1A101M	ELECTRO 100UF 10WV	
IC1			LC75853NE	MOS-IC		C305			CK73GB1H103K	CHIP C 0.010UF K	
IC2			RS-171	ANALOGUE IC	KK1K2	C306			C90-2594-05	ELECTRO 10UF 10WV	
IC2			RS-171	ANALOGUE IC	K3MM1	C307			CK73GB1H103K	CHIP C 0.010UF K	
IC2			RS-171	ANALOGUE IC	M3	C309			CK73GB1H103K	CHIP C 0.010UF K	
Q1			DTA114EUA	DIGITAL TRANSISTOR		C401,402			C90-2608-05	ELECTRO 1.0UF 50WV	KK1K2
Q1			UN5111	DIGITAL TRANSISTOR		C401,402			C90-2608-05	ELECTRO 1.0UF 50WV	K3MM1
ELECTRIC UNIT (X25-9120-xx)						C401,402			C90-2608-05	ELECTRO 1.0UF 50WV	M3
D102			B30-1567-05	LED (1608,RED)		C403			CE04CW1A101M	ELECTRO 100UF 10WV	KK1K2
C1			C90-5242-05	ELECTRO 3300UF 16WV		C403			CE04CW1A101M	ELECTRO 100UF 10WV	K3MM1
C21			CK73GB1H103K	CHIP C 0.010UF K		C403			CE04CW1A101M	ELECTRO 100UF 10WV	M3
C40			CK73GB1H103K	CHIP C 0.010UF K		C404			CK73GB1H103K	CHIP C 0.010UF K	KK1K2
						C404			CK73GB1H103K	CHIP C 0.010UF K	K3MM1

K : KDC-219 K3 : KDC-29MR M : KDC-2020
 K1 : KDC-2019V K4 : KDC-217 M1 : KDC-4020
 K2 : KDC-2019 K5 : KDC-217S M3 : KDC-3020

△ Indicates safety critical components.

PARTS LIST

* New parts

Parts without **Parts No.** are not supplied.

Les articles non mentionnés dans le **Parts No.** ne sont pas fournis.

Teile ohne **Parts No.** werden nicht geliefert.

ELECTRIC UNIT (X25-9120-xx)

Ref. No.	Add	New	Parts No.	Description	Destination
C404			CK73GB1H103K	CHIP C 0.010UF K	M3
CN1			E40-9550-05	FLAT CABLE CONNECTOR	
CN2			E40-3238-05	PIN ASSY	K1K2M1
CN3			E40-3246-05	PIN ASSY	K3
J1			E04-0312-05	RF COAXIAL CABLE RECEPTACLE	
J2			E58-0863-15	RECTANGULAR RECEPTACLE	
J3			E58-0879-05	RECTANGULAR RECEPTACLE	
J4			E56-0834-05	CYLINDRICAL RECEPTACLE	KK1K2
J4			E56-0834-05	CYLINDRICAL RECEPTACLE	K3MM1
J4			E56-0834-05	CYLINDRICAL RECEPTACLE	M3
J5			E63-0852-05	PIN JACK	
L1			L33-1170-05	CHOKE COIL ASSY	
L2			L33-1807-05	CHOKE COIL	
L4			L33-1123-05	LINE FILTER COIL	
L101			L40-4795-91	SMALL FIXED INDUCTOR (4.7UH,J)	
L201			L40-4795-91	SMALL FIXED INDUCTOR (4.7UH,J)	
L303-306			L40-4795-91	SMALL FIXED INDUCTOR (4.7UH,J)	
X1			L77-1167-05	CRYSTAL RESONATOR (4.19M)	
D	2B		N83-3005-46	PAN HEAD TAPTITE SCREW	
E	2B		N80-3010-46	PAN HEAD TAPTITE SCREW	
F	2B		N83-3020-46	PAN HEAD TAPTITE SCREW	
G	2B		N86-2606-46	BINDING HEAD TAPTITE SCREW	
CP1			R90-1056-05	MULTIPLE RESISTOR	
CP2			R90-1047-05	MULTIPLE RESISTOR	
CP3			R90-1046-05	MULTIPLE RESISTOR	
R10			RK73FB2B303J	CHIP R 30K J 1/8W	
R11			RK73GB2A103J	CHIP R 10K J 1/10W	
R12			RK73GB2A104J	CHIP R 100K J 1/10W	
R20			RD14DB2H332J	SMALL-RD 3.3K J 1/2W	
R22			RK73GB2A103J	CHIP R 10K J 1/10W	
R23			RK73GB2A104J	CHIP R 100K J 1/10W	
R51			RK73GB2A473J	CHIP R 47K J 1/10W	
R57		*	RK73FB2B152J	CHIP R 1.5K J 1/8W	
R58			RK73GB2A472J	CHIP R 4.7K J 1/10W	
R67			RK73GB2A103J	CHIP R 10K J 1/10W	
R71			RK73GB2A823J	CHIP R 82K J 1/10W	
R72		*	RK73GB2A363J	CHIP R 36K J 1/10W	
R73			RK73GB2A104J	CHIP R 100K J 1/10W	
R103,104			RK73GB2A222J	CHIP R 2.2K J 1/10W	
R105			RK73GB2A471J	CHIP R 470 J 1/10W	
R106			RK73GB2A104J	CHIP R 100K J 1/10W	
R107,108			RK73GB2A222J	CHIP R 2.2K J 1/10W	
R110			RK73GB2A472J	CHIP R 4.7K J 1/10W	
R113,114			RK73GB2A473J	CHIP R 47K J 1/10W	
R115			RK73GB2A102J	CHIP R 1.0K J 1/10W	
R116			RK73GB2A103J	CHIP R 10K J 1/10W	
R117			RK73GB2A102J	CHIP R 1.0K J 1/10W	
R118			RK73GB2A103J	CHIP R 10K J 1/10W	
R119			RK73GB2A473J	CHIP R 47K J 1/10W	
R121			RK73GB2A222J	CHIP R 2.2K J 1/10W	
R122			RK73GB2A101J	CHIP R 100 J 1/10W	
R123			RK73GB2A102J	CHIP R 1.0K J 1/10W	
R125			RK73GB2A102J	CHIP R 1.0K J 1/10W	

Ref. No.	Add	New	Parts No.	Description	Destination
R126			RK73GB2A104J	CHIP R 100K J 1/10W	
R127			RK73GB2A222J	CHIP R 2.2K J 1/10W	
R128			RK73GB2A225J	CHIP R 2.2M J 1/10W	
R129,130			RK73GB2A222J	CHIP R 2.2K J 1/10W	
R131			RK73GB2A682J	CHIP R 6.8K J 1/10W	
R132			RK73GB2A223J	CHIP R 22K J 1/10W	
R133			RK73GB2A164J	CHIP R 160K J 1/10W	
R135			RK73GB2A473J	CHIP R 47K J 1/10W	K4K5
R136			RK73GB2A473J	CHIP R 47K J 1/10W	KK1K2
R136			RK73GB2A473J	CHIP R 47K J 1/10W	K3
R136,137			RK73GB2A473J	CHIP R 47K J 1/10W	MM1M3
R138,139			RK73GB2A473J	CHIP R 47K J 1/10W	KK1K2
R138,139			RK73GB2A473J	CHIP R 47K J 1/10W	K3K4K5
R139			RK73GB2A473J	CHIP R 47K J 1/10W	MM1M3
R143			RK73GB2A472J	CHIP R 4.7K J 1/10W	
R144			RK73GB2A104J	CHIP R 100K J 1/10W	
R201			RK73GB2A272J	CHIP R 2.7K J 1/10W	
R202,203			RK73GB2A472J	CHIP R 4.7K J 1/10W	
R221-224			RK73FB2B271J	CHIP R 270 J 1/8W	K1K2M1
R223,224			RK73FB2B271J	CHIP R 270 J 1/8W	KK3K4
R223,224			RK73FB2B271J	CHIP R 270 J 1/8W	K5MM3
R251			RK73GB2A472J	CHIP R 4.7K J 1/10W	K3K4K5
R254			RK73GB2A472J	CHIP R 4.7K J 1/10W	K3K4K5
R255			RK73GB2A333J	CHIP R 33K J 1/10W	
R256			RK73FB2B102J	CHIP R 1.0K J 1/8W	
R257			RK73GB2A362J	CHIP R 3.6K J 1/10W	
R258			RK73GB2A101J	CHIP R 100 J 1/10W	K3K4K5
R258		*	RK73GB2A221J	CHIP R 220 J 1/10W	KK1K2M
R258		*	RK73GB2A221J	CHIP R 220 J 1/10W	M1M3
R260			RK73GB2A751J	CHIP R 750 J 1/10W	K3K4K5
R261		*	RK73GB2A100J	CHIP R 10 J 1/10W	KK1K2M
R261		*	RK73GB2A100J	CHIP R 10 J 1/10W	M1M3
R261			RK73GB2A431J	CHIP R 430 J 1/10W	K3K4K5
R263			RK73GB2A184J	CHIP R 180K J 1/10W	K3K4K5
R263			RK73GB2A432J	CHIP R 4.3K J 1/10W	KK1K2M
R263			RK73GB2A432J	CHIP R 4.3K J 1/10W	M1M3
R264			RK73GB2A473J	CHIP R 47K J 1/10W	
R412-415			RK73GB2A104J	CHIP R 100K J 1/10W	KK1K2
R412-415			RK73GB2A104J	CHIP R 100K J 1/10W	K3MM1
R412-415			RK73GB2A104J	CHIP R 100K J 1/10W	M3
R415			RK73GB2A104J	CHIP R 100K J 1/10W	K4K5
W150			R92-1252-05	CHIP R 0 OHM J 1/16W	K3
W151			R92-2053-05	CHIP R 0 J 1/8W	
W152			R92-1252-05	CHIP R 0 OHM J 1/16W	
W155			R92-1252-05	CHIP R 0 OHM J 1/16W	
W156,157			R92-2053-05	CHIP R 0 J 1/8W	
W158,159			R92-1252-05	CHIP R 0 OHM J 1/16W	
W160-165			R92-2053-05	CHIP R 0 J 1/8W	
W167-169			R92-1252-05	CHIP R 0 OHM J 1/16W	
W171-174			R92-1252-05	CHIP R 0 OHM J 1/16W	
W176-178			R92-1252-05	CHIP R 0 OHM J 1/16W	KK1K2M
W176-178			R92-1252-05	CHIP R 0 OHM J 1/16W	M1M3
W179			R92-2052-05	CHIP R 0 OHM J 1/10W	
D1			S2V20*A	DIODE	

K : KDC-219 K3 : KDC-29MR M : KDC-2020
 K1 : KDC-2019V K4 : KDC-217 M1 : KDC-4020
 K2 : KDC-2019 K5 : KDC-217S M3 : KDC-3020

△ Indicates safety critical components.

PARTS LIST

* New parts

Parts without **Parts No.** are not supplied.

Les articles non mentionnes dans le **Parts No.** ne sont pas fournis.

Teile ohne **Parts No.** werden nicht geliefert.

ELECTRIC UNIT (X25-9120-xx)

Ref. No.	Add	New	Parts No.	Description	Destination	Ref. No.	Add	New	Parts No.	Description	Destination
D1			1N5393G-M6	DIODE		D407			MA4062-L	ZENER DIODE	KK1K2
D10			MA4068(N)-M	ZENER DIODE		D407			MA4062-L	ZENER DIODE	K3MM1
D11			D1F60	DIODE	MM1M3	D407			MA4062-L	ZENER DIODE	M3
D12			AM01Z	DIODE	MM1M3	D409-411			HZS6C1	ZENER DIODE	KK1K2
D12			DSM1SD2	DIODE	MM1M3	D409-411			HZS6C1	ZENER DIODE	K3MM1
D12			ERA15-02	DIODE	MM1M3	D409-411			HZS6C1	ZENER DIODE	M3
D13			D1F60	DIODE		D409-411			MA4062-L	ZENER DIODE	KK1K2
D14			AM01Z	DIODE		D409-411			MA4062-L	ZENER DIODE	K3MM1
D14			DSM1SD2	DIODE		D409-411			MA4062-L	ZENER DIODE	M3
D14			ERA15-02	DIODE		D409-411	*		UPD780058GC429	MI-COM IC	KK1K2
D20			MA4068(N)-M	ZENER DIODE		IC1	*		UPD780058GC429	MI-COM IC	K4K5M
D40			1SS133	DIODE		IC1	*		UPD780058GC429	MI-COM IC	M1M3
D50			1SS133	DIODE		IC1	*		UPD780058GC430	MI-COM IC	K3
D51			HZS9A1L	ZENER DIODE		IC2			TDA7407D	ANALOGUE IC	
D51			MA4082(N)-L	ZENER DIODE		IC4			TDA7386	ANALOGUE IC	K3K4K5
D70			MA4068(N)-M	ZENER DIODE		IC4	*		TDA7560	ANALOGUE IC	KK1K2M
D101			1SS133	DIODE		IC4	*		TDA7560	ANALOGUE IC	M1M3
D103,104			1SS133	DIODE		IC7			BA4911-V4	ANALOGUE IC	
D106-108			HZS6C1	ZENER DIODE		IC8			HD74HC27FP	MOS-IC	
D106-108			MA4062-L	ZENER DIODE		IC11			S-80835ANNP	MOS-IC	
D110		*	HZS12A2	ZENER DIODE		IC12			BR24C01AF	MEMORY IC	
D201,202			MA4068(N)-M	ZENER DIODE		IC12			BR24C01AF-W	MEMORY IC	
D251-253			1SS133	DIODE		IC12			M24C01-WMN6T	MEMORY IC	
D261-263			AM01Z	DIODE	KK1K2M	IC12			S-24C01B	MEMORY IC	
D261-263			AM01Z	DIODE	M1M3	Q10			2SC4081	TRANSISTOR	
D261-263			DSM1SD2	DIODE	KK1K2M	Q10			2SD1819A	TRANSISTOR	
D261-263			DSM1SD2	DIODE	M1M3	Q20			2SC4081	TRANSISTOR	
D261-263			ERA15-02	DIODE	KK1K2M	Q20			2SD1819A	TRANSISTOR	
D261-263			ERA15-02	DIODE	M1M3	Q40			DTA124EUA	DIGITAL TRANSISTOR	
D264			D1F60	DIODE	KK1K2M	Q40			UN5112	DIGITAL TRANSISTOR	
D264			D1F60	DIODE	M1M3	Q50			2SA1036K	TRANSISTOR	
D264		*	S1J	DIODE	KK1K2M	Q51			UMC2N	TRANSISTOR	
D264		*	S1J	DIODE	M1M3	Q53			UMC2N	TRANSISTOR	MM1M3
D265,266			AM01Z	DIODE	KK1K2M	Q55			2SD2375	TRANSISTOR	
D265,266			AM01Z	DIODE	M1M3	Q55			2SD2396	TRANSISTOR	
D265,266			DSM1SD2	DIODE	KK1K2M	Q70			2SC4081	TRANSISTOR	
D265,266			DSM1SD2	DIODE	M1M3	Q70			2SD1819A	TRANSISTOR	
D265,266			ERA15-02	DIODE	KK1K2M	Q101			2SC4081	TRANSISTOR	
D265,266			ERA15-02	DIODE	M1M3	Q101			2SD1819A	TRANSISTOR	
D267,268			D1F60	DIODE	KK1K2M	Q102			DTA114YUA	DIGITAL TRANSISTOR	
D267,268		*	D1F60	DIODE	M1M3	Q102			UN5114	DIGITAL TRANSISTOR	
D267,268		*	S1J	DIODE	KK1K2M	Q221-224			DTC143TUA	DIGITAL TRANSISTOR	K1K2M1
D267,268		*	S1J	DIODE	M1M3	Q221-224			UN5216	DIGITAL TRANSISTOR	K1K2M1
D401,402			MA4068(N)-M	ZENER DIODE	KK1K2	Q223,224			DTC143TUA	DIGITAL TRANSISTOR	KK3K4
D401,402			MA4068(N)-M	ZENER DIODE	K3MM1	Q223,224			DTC143TUA	DIGITAL TRANSISTOR	K5MM3
D401,402			MA4068(N)-M	ZENER DIODE	M3	Q223,224			UN5216	DIGITAL TRANSISTOR	KK3K4
D403,404			HZS6C1	ZENER DIODE	KK1K2	Q223,224			UN5216	DIGITAL TRANSISTOR	K5MM3
D403,404			HZS6C1	ZENER DIODE	K3MM1	Q251			DTC114YUA	DIGITAL TRANSISTOR	
D403,404			HZS6C1	ZENER DIODE	M3	Q251			UN5214	DIGITAL TRANSISTOR	
D403,404			MA4062-L	ZENER DIODE	KK1K2	TH1			PTH9C42BE471Q	POSITIVE RESISTOR	
D403,404			MA4062-L	ZENER DIODE	K3MM1	A1	*		X86-3510-11	FRONT-END UNIT	
D403,404			MA4062-L	ZENER DIODE	M3						
D407			HZS6C1	ZENER DIODE	KK1K2						
D407			HZS6C1	ZENER DIODE	K3MM1						
D407			HZS6C1	ZENER DIODE	M3						

K : KDC-219 **K3** : KDC-29MR **M** : KDC-2020
K1 : KDC-2019V **K4** : KDC-217 **M1** : KDC-4020
K2 : KDC-2019 **K5** : KDC-217S **M3** : KDC-3020

△ Indicates safety critical components.

SPECIFICATIONS

KDC-219/2019V/2019/29MR/217/217S (K-TYPE)

FM

Frequency Range 87.9MHz~107.9MHz
Frequency step 200kHz
(Channel Space Slection) (50k/200kHz)
Usable Sensitivity (S/N : 30dB) 9.3dBf (0.8 μ V/75 Ω)
Quieting Sensitivity (S/N 50dB) 15.2dBf (1.6 μ V/75 Ω)
Frequency Response (\pm 3.0dB) 30Hz~15kHz
S/N 70dB (MONO)
Selectivity \geq 80dB (\pm 400kHz)
Stereo Separation 40dB (1kHz)

AM

Frequency Range 530kHz~1700kHz
Frequency step 10kHz
(Channel Space Selection) (9k/10kHz)
Usable Sensitivity (S/N : 20dB) 28dB μ (25 μ v)

CD

Laser Diode GaAIAs (λ =780nm)
Digital Filter (D/A) 8 times Over Sampling
D/A Converter 1 Bit
Spindle Speed 500~200 (CLV)
Wow & Flutter Below Mesurable Limit
Frequency Respons 10~20kHz (\pm 1dB)
THD 0.01% (1kHz)
S/N Ratio (dB) 96dB (1kHz)
Dynamic Range 93dB
Channel Separation 85dB

Preout Level (mV)/Load 1800mV/10k Ω (CD/CD-CH) (219/2019/2019V/29MR)
..... (CD) (217/217S)

Preout Impedance (Ω) \leq 600 Ω

AMP

Maximum Power 50wx4 (219/2019/2019V)
..... 45wx4 (29MR/217/217S)
Full Bandwidth Power (at Less than 1%THD) 22wx4

TONE

Bass 100Hz \pm 10dB
Middle 1kHz \pm 10dB
Treble 10kHz \pm 10dB

GENERAL

Operating voltage (11~16v allowable) 14.4V
Current Consumption 10A
Installation Size (Width) 182mm (7-3/16 inch)
(Height) 53mm (2-1/16 inch)
(Depth) 157mm (6-3/16 inch)
Weight 3.1 lbs (1.4kg)

KDC-2020/3020/4020 (M-TYPE)

FM

Frequency Range 87.5MHz~108.0MHz
Frequency step 50kHz
Frequency Range 87.9MHz~107.9MHz
Frequency step 200kHz
(Channel Space Slection) (50k/200kHz)
Usable Sensitivity (S/N : 30dB) 9.3dBf (0.8 μ V/75 Ω)
Quieting Sensitivity (S/N 50dB) 15.2dBf (1.6 μ V/75 Ω)
Frequency Response (\pm 3.0dB) 30Hz~15kHz
S/N 70dB (MONO)
Selectivity \geq 80dB (\pm 400kHz)
Stereo Separation 40dB (1kHz)

AM

Frequency Range 531kHz~1611kHz
Frequency step 9kHz
Frequency Range 530kHz~1700kHz
Frequency step 10kHz
(Channel Space Selection) (9k/10kHz)
Usable Sensitivity (S/N : 20dB) 28dB μ (25 μ v)

CD

Laser Diode GaAIAs (λ =780nm)
Digital Filter (D/A) 8 times Over Sampling
D/A Converter 1 Bit
Spindle Speed 500~200 (CLV)
Wow & Flutter Below Mesurable Limit
Frequency Respons 10~20kHz (\pm 1dB)
THD 0.01% (1kHz)
S/N Ratio (dB) 96dB (1kHz)
Dynamic Range 93dB
Channel Separation 85dB

Preout Level (mV)/Load 1800mV/10k Ω (CD/CD-CH)
Preout Impedance (Ω) \leq 600 Ω

AMP

Maximum Power 50wx4
Full Bandwidth Power (at Less than 1%THD) 22wx4

TONE

Bass 100Hz \pm 10dB
Middle 1kHz \pm 10dB
Treble 10kHz \pm 10dB

GENERAL

Operating voltage (11~16v allowable) 14.4V
Current Consumption 10A
Installation Size (Width) 182mm (7-3/16 inch)
(Height) 53mm (2-1/16 inch)
(Depth) 157mm (6-3/16 inch)
Weight 3.1 lbs (1.4kg)

KENWOOD follows a policy of continuous advancements in development. For this reason specifications may be changed without notice.